



- MANUAL OR AUTO RANGE FROM 1 μ W TO 6 W
- 4 WIRE MEASUREMENT
- MEMORY OF 2000 READINGS
- COMPACT AND LIGHT WEIGHT (< 2 Kg)

AX 6000: The right solution for bonding resistance measurement according to all current aircraft specifications on plane, helicopter, rocket, army vehicles for both production and maintenance.

It is a very easy-to-use and versatile instrument, for applications requiring up to 10 A measurement current.

Its ergonomics allow the user to use it either placed on the ground or across one's shoulder or chest.

A wide back-lit LCD display combined with an intuitive keyboard ensures simple and easy operation.



Mains Characteristics

- 3 measurement ranges: 0.1 A - 1 A and 10 A
- Resistance measurement from: 6 m Ω to 6 Ω
- Auto mode with 32 programmable test sequences
- Connection USB port for:
 - . Parameters setting
 - . Save / restitution parameters
 - . Instrument cloning
 - . Software updating
 - . Results downloading
- 4 Jaeger locking system
- 2 USB ports
- IP 54 protection
- Internal memory: 2 Go
- Signal
 - . Measurement threshold adjustable
 - . Visual (red/green leds) and audible signal for results
- Battery
 - . 12VDC 4400 mA/h Lithium Polymer technology
 - . Easy removable battery pack
 - . 3 hours charging time with the external charger



Applications

All aircrafts



Measurement Ranges

Manual mode

CURRENT	RANGE	RESOLUTION
1 A – 10 A	6 mW	1 μ W
0,1 A – 1 A – 10 A	60 mW	10 μ W
0,1 A – 1 A – 10 A	600 mW	100 μ W
0,1 A – 1 A	6 W	1 mW

Automatic mode

SCALE	TEST CURRENT
1 μ W – 600 mW	10 A
10 μ W – 6 W	1A / 0,1A

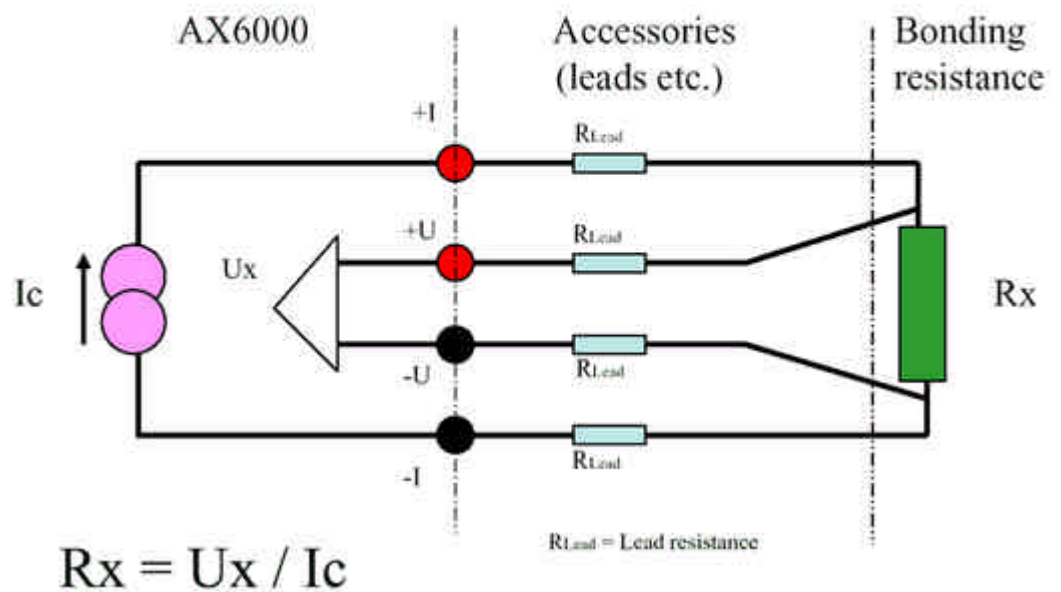
Principle of Measurement

In order to make low resistance measurement with high precision, the AX6000 uses the 4-wire Kelvin method.

- 2 wires are used to connect a constant current source to the resistance to be measured

- 2 additional wires are used to measure the difference of potential directly to the terminals of the device under test.

- With this method, the resistance of the measuring leads does not introduce any error.



Technical characteristics

■ Presentation

Weight: < 2 kg

Dimensions in mm : H 240 x D 120 x W 210

■ International Standards

Complies with:

CE: 61010-1

CEM: 61326-1 and 55011

■ Temperature

Operating : 0°C to + 50°C

Storage : -20°C to + 60°C

Relative humidity < 30% none condensing

■ Use

Portable instrument which can be used on the ground or across one's shoulder or chest.

Accessories

Transport case

Bag for AX6000

kelvin tips

Additional battery

Additional battery charger

Extension cable

See accessories for full detailed list